

# FLAGHOUSE

601 FlagHouse Drive  
Hasbrouck Heights, NJ 07604-3116  
[www.flaghouse.com](http://www.flaghouse.com)

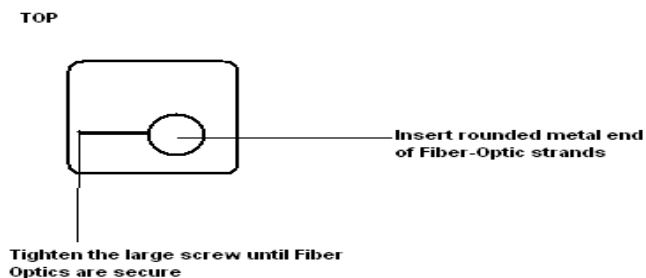
## LIGHT SOURCE US Item # 37614; CN Item # 376R14)

This Light Source is compatible with Fiber-Optic Curtain (US Item # 37617 and CN Item # 376R17), 100-Strand Fiber-Optic Light Spray (US Item # 37615 and CN Item # 376R15), and 170-strand Fiber-Optic Light Spray (US Item # 37616 and CN Item # 376R16).

### This unit includes:

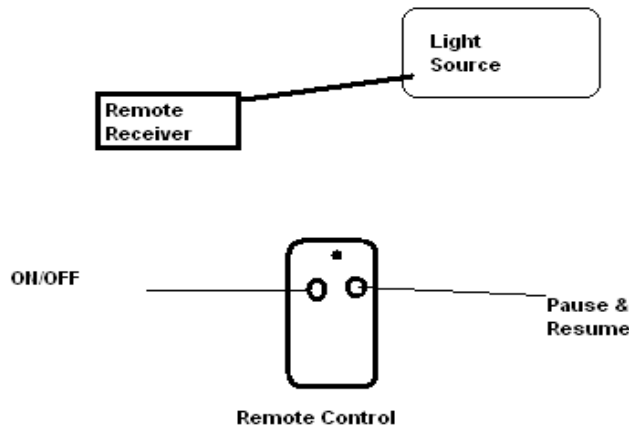
- 1 Remote Control
- 1 Light Engine

### To Install Fiber Optics



### To Use Remote Control

1. The remote control uses 1 12V battery (included).
2. Aim remote control at the receiver box.
3. The remote allows you to turn the unit on/off and to pause on a specific color.



**Caution- If fan stops working or unit overheats unplug immediately and call FlagHouse for assistance.**

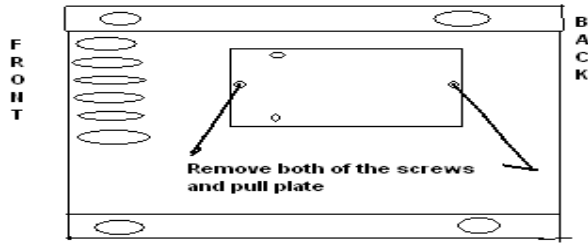
### Replacing the lightbulb

You will need:

1 bulb dichroic reflector lamp 12V 75W

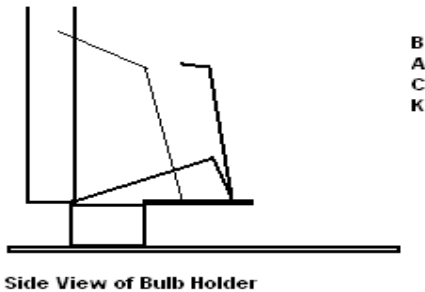
To install bulb:

1. Remove unit from box and turn sideways to expose bottom of unit.



2. Slide lightbulb into position

Slide bulb in with plug towards back



3. Connect bulb to the white cable inside light source.
4. Insert lightbulb in holder in the unit.
5. Carefully route wire to not interfere with fan.
6. Screw faceplate back in place.
7. Plug in unit and use red button in back of unit to turn on/off.

**DISCLAIMER: THIS PRODUCT MUST ALWAYS BE USED UNDER THE DIRECT SUPERVISION OF A CAREGIVER.** To ensure safety, this product must be assembled, installed, and used in strict conformity with the instructions and specifications provided. All warranties of any kind, including, but not limited to, warranties of merchantability or fitness for a particular purpose, are expressly disclaimed and no warranty of any kind is implied or expressly made. FlagHouse shall not be liable for any direct, indirect, special, incidental, or consequential damages arising or resulting from the sale, use, replacement, or repair of this product.

Please direct your questions or concerns regarding this product to the appropriate office listed below:

**In the U.S.**

FlagHouse, 601 FlagHouse Drive, Hasbrouck Heights, NJ 07604-3116

Phone 800-793-7900

Fax 800-793-7922

Email [info@flaghouse.com](mailto:info@flaghouse.com)

**In Canada**

FlagHouse Canada, 235 Yorkland Blvd., Suite 105, North York, Ontario M2J 4Y8

Phone 800-265-6900

Fax 800-265-6922

Email [flaghousecanada@flaghouse.com](mailto:flaghousecanada@flaghouse.com)

**International Customers**

FlagHouse, 601 FlagHouse Drive, Hasbrouck Heights, NJ 07604-3116

Phone 201-288-7600

Fax 201-288-7887

8AM-6PM Eastern Time