

FLAGHOUSE

601 FlagHouse Drive
Hasbrouck Heights, NJ 07604-3116
www.flaghouse.com

SOUND-RESPONSIVE PANEL (US Item # 37962; CN Item # 379r62)

IMPORTANT: Please read all instructions carefully before installation.

PURPOSE: Your Sound-Responsive Panel reacts to sound, music, and/or voices with brilliant light displays.

DESCRIPTION:

Front-of-the-unit features:

- **On/off switch**
- The **Light Sensitivity Knob** allows you to control color intensity. Turn the knob clockwise (CW) to increase overall intensity.
- The **Audio Mic Knob** allows you to control the microphone's sensitivity. Turn the knob clockwise (CW) to increase the reaction to ambient noise picked up by the built-in microphone.
- **Built-in microphone**

TROUBLESHOOTING

Symptom: Lights are not working.

- A. Check Sensitivity & Mic knobs by turning them clockwise (CW) to increase the intensity.

Symptom: Nothing is working.

- A. Check the power cord to make sure it has not pulled out of the unit's power supply.

Symptom: The radio is not working.

- A. Check the radio's detachable face by removing it and reinstalling it. Refer to the radio manual for more instructions on troubleshooting it.

DISCLAIMER: THIS PRODUCT MUST ALWAYS BE USED UNDER THE DIRECT SUPERVISION OF A CAREGIVER. To ensure safety, this product must be assembled, installed, and used in strict conformity with the instructions and specifications provided. All warranties of any kind, including, but not limited to, warranties of merchantability or fitness for a particular purpose, are expressly disclaimed and no warranty of any kind is implied or expressly made. FlagHouse shall not be liable for any direct, indirect, special, incidental, or consequential damages arising or resulting from the sale, use, replacement, or repair of this product.

Please direct your questions or concerns regarding this product to the appropriate office listed below:

In the U.S.

FlagHouse, 601 FlagHouse Drive, Hasbrouck Heights, NJ 07604-3116
Phone 800-793-7900 Fax 800-793-7922 Email info@flaghouse.com

In Canada

FlagHouse Canada, 235 Yorkland Blvd., Suite 105, North York, Ontario M2J 4Y8
Phone 800-265-6900 Fax 800-265-6922 Email flaghousecanada@flaghouse.com

International Customers

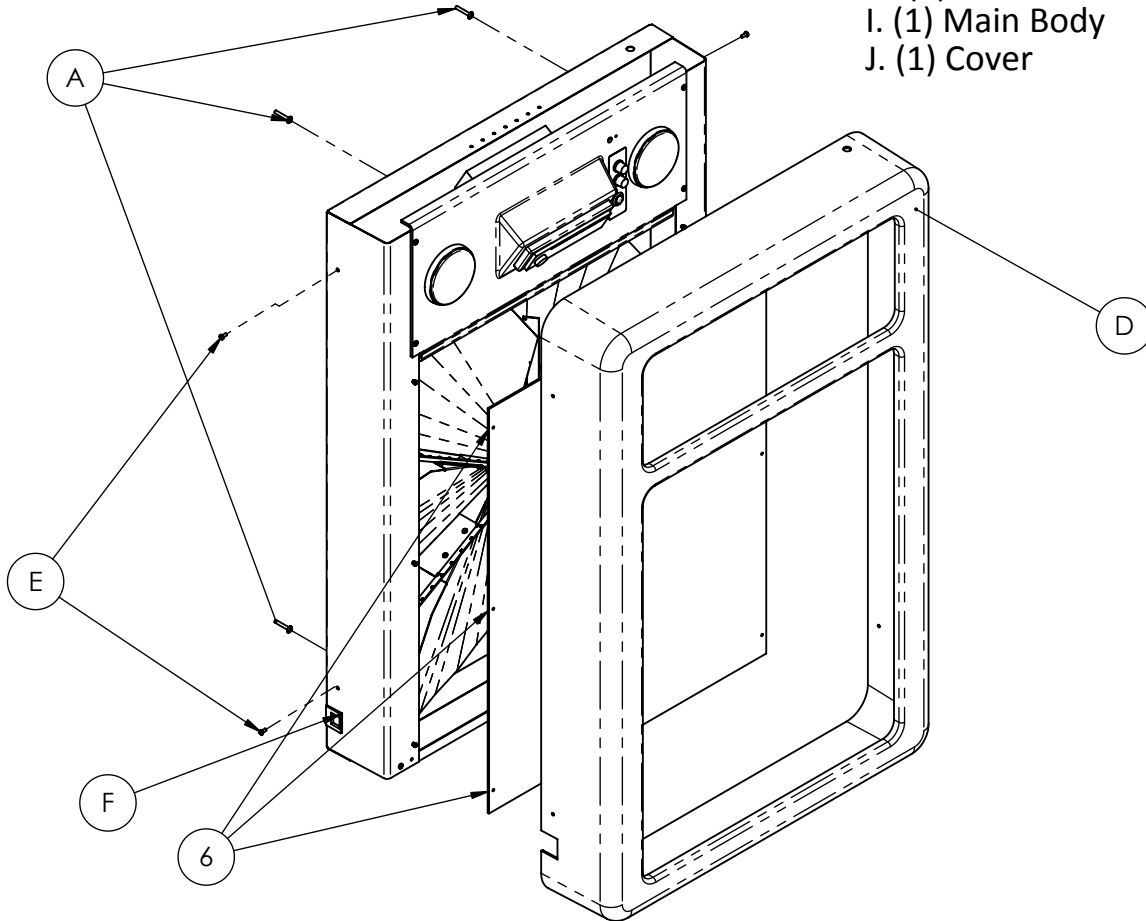
FlagHouse, 601 FlagHouse Drive, Hasbrouck Heights, NJ 07604-3116
Phone 201-288-7600 Fax 201-288-7887 8AM-6PM Eastern Time

Assembly Instruction

Sound Reactive Panel Item #37962

Includes -

- A. (4) - #10 x 1.5 Screws
- B. (4) - 8/32 x .375 Screw
- C. (6) - 6/32 x .375 Screws (in lens box)
- D. (12) - Rubber washers (in lens box)
- E. (1) Lens
- F. (1) Cord set
- G. (1) Radio Face Plate
- H. (1) Radio Face Trim
- I. (1) Main Body
- J. (1) Cover



- A. (4x) Mount #10 x 1.5 screws to wall. (leave 1/8 from wall)
- B. Place unit onto wall using key holes.
- C. (6x) attach lens to body using screws that are provide in lens kit (Do not over tightening).
- D. Attach cover onto body.
- E. (4x) Screw 8/32 x .375 into holes.
- F. Plug cord set into unit (cord set not shown)
- G. Attach radio trim & radio (Refer to radio manual)

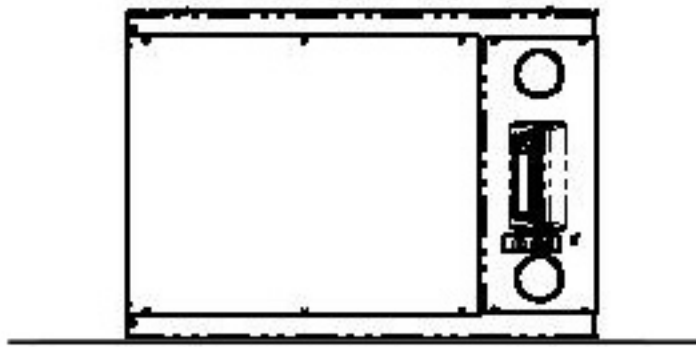
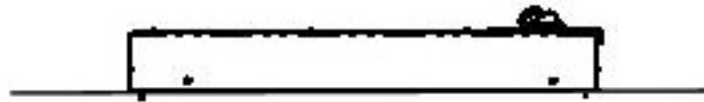
Caution

Installation should only be performed by individuals with experience in mounting units, shelves or similar objects on to walls. A reasonable understanding of wall types, wall studs, electric drills and wall mounting hardware is necessary. Do not attempt to wall mount the Sound Reactive Panel unless you have this experience.

CAUTION - Cover is shipped loose

Note - Lens is packed behind shipping panel.
Remove unit from shipping panel prior to installation

Lay unit on the following sides prior to installation



Do NOT stand unit on the ground with Lens attached

