



601 FlagHouse Drive
Hasbrouck Heights, NJ 07604-3116
www.flaghouse.com

SPEED OF LIGHT PANEL (US Item # 37963; CN Item # 379r63)

IMPORTANT: Please read all instructions carefully.

HOW to USE:

1. Plug in the Speed-of-Light Panel.
2. Click the On/Off switch located on the power cord.
3. Push the top left red button to change the pattern of the lights. (Choose from 4 patterns.)
4. Turn the top middle knob to control the speed of the pattern.
 - Turn knob to the right to increase speed.
 - Turn knob to the left to decrease speed.
5. Turn the top right knob to control the volume of the sound.
 - Turn knob to the right to increase sound.
 - Turn knob to the left to decrease sound.

HOW to PLAY:

Exciting light-chase game helps develop hand/eye coordination and provides auditory and visual stimulation. When users press the correct button, the lights light up and an upbeat musical fanfare heralds the success. Experiment with different setting to ensure success and hold interest.

DISCLAIMER: THIS PRODUCT MUST ALWAYS BE USED UNDER THE DIRECT SUPERVISION OF A CAREGIVER. To ensure safety, this product must be assembled, installed, and used in strict conformity with the instructions and specifications provided. All warranties of any kind, including, but not limited to, warranties of merchantability or fitness for a particular purpose, are expressly disclaimed and no warranty of any kind is implied or expressly made. FlagHouse shall not be liable for any direct, indirect, special, incidental, or consequential damages arising or resulting from the sale, use, replacement, or repair of this product.

Please direct your questions or concerns regarding this product to the appropriate office listed below:

In the US

FlagHouse, 601 FlagHouse Drive, Hasbrouck Heights, NJ 07604-3116
Phone 800-793-7900 Fax 800-793-7922
Email: info@flaghouse.com

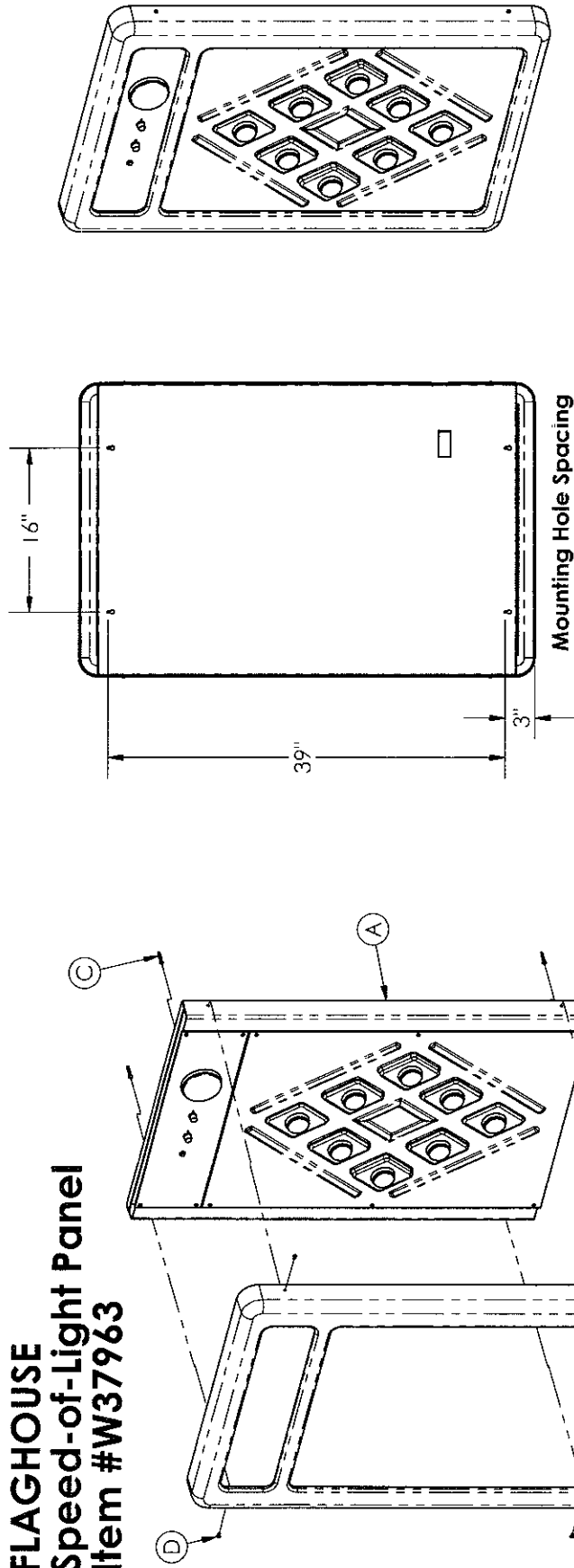
In Canada

FlagHouse Canada, 235 Yorkland Blvd., Suite 105, North York, Ontario M2J 4Y8
Phone 800-265-6900 Fax 800-265-6922
Email: flaghousecanada@flaghouse.com

International Customers

FlagHouse, 601 FlagHouse Drive, Hasbrouck Heights, NJ 07604-3116
Phone 201-288-7600 Fax 201-288-7887
8 AM-6 PM Eastern Time

FLAGHOUSE Speed-of-Light Panel Item #W37963



Installation Instructions

1. Mount #10 x 1-1/2" Wood Screws to wall. Allow head to extend 1/8" from surface of wall. Use dimensions above as location guide.
2. Place Rear Frame onto screws in wall using keyholes. Tighten screws after Rear Frame is locked in place.
3. Place Front Cover over Rear Frame such that side holes line up. Use 8-32 x 3/8" machine screws to fasten in place.
4. Plug Power Cord into left side of unit, then plug into appropriate wall outlet.
5. If you flip the switch on the cord, the unit will turn on and should begin operating immediately.

Includes:

- A. Rear Frame (1)
- B. Front Cover (1)
- C. #10 x 1-1/2" Wood Screws (4)
- D. 8-32 x 3/8" Machine Screws (4)
- E. Power Cord with Switch (1, not shown)

Caution

Installation should only be performed by individuals with experience in mounting units, shelves or similar objects on to walls. A reasonable understanding of wall types, wall studs, electric drills and wall mounting hardware is necessary. Do not attempt to wall mount the Speed-of-Light Panel unless you have this experience.