



601 FlagHouse Drive
Hasbrouck Heights, NJ 07604-3116
www.flaghouse.com

SPIRAL SENSATIONS (US Item # 37964; CN Item # 379r64)

IMPORTANT: Please read all instructions carefully.

HOW to USE:

1. Plug in the Spiral Sensations Panel.
2. Click the On/Off switch located on the power cord.
 - Press the **Blue** button to change the pattern of lights.
 - Press the **Green** button to invert the pattern, switching its vertical and horizontal positions.
 - Press the **Yellow** button to reverse the pattern.Press the **Red** button to change the speed-of-the-light pattern.
(Limitless possibilities exist with 4 different patterns, 5 speeds, plus the reverse and inverse function!)

DISCLAIMER: THIS PRODUCT MUST ALWAYS BE USED UNDER THE DIRECT SUPERVISION OF A CAREGIVER.
To ensure safety, this product must be assembled, installed, and used in strict conformity with the instructions and specifications provided. All warranties of any kind, including, but not limited to, warranties of merchantability or fitness for a particular purpose, are expressly disclaimed and no warranty of any kind is implied or expressly made. FlagHouse shall not be liable for any direct, indirect, special, incidental, or consequential damages arising or resulting from the sale, use, replacement, or repair of this product.

Please direct your questions or concerns regarding this product to the appropriate office listed below:

In the US

FlagHouse, 601 FlagHouse Drive, Hasbrouck Heights, NJ 07604-3116
Phone 800-793-7900 Fax 800-793-7922
Email: info@flaghouse.com

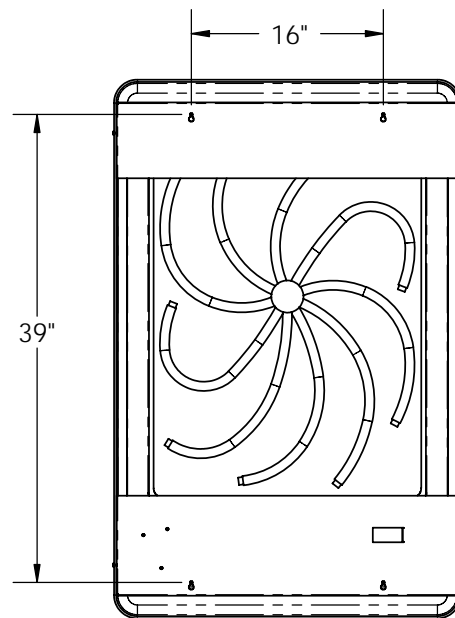
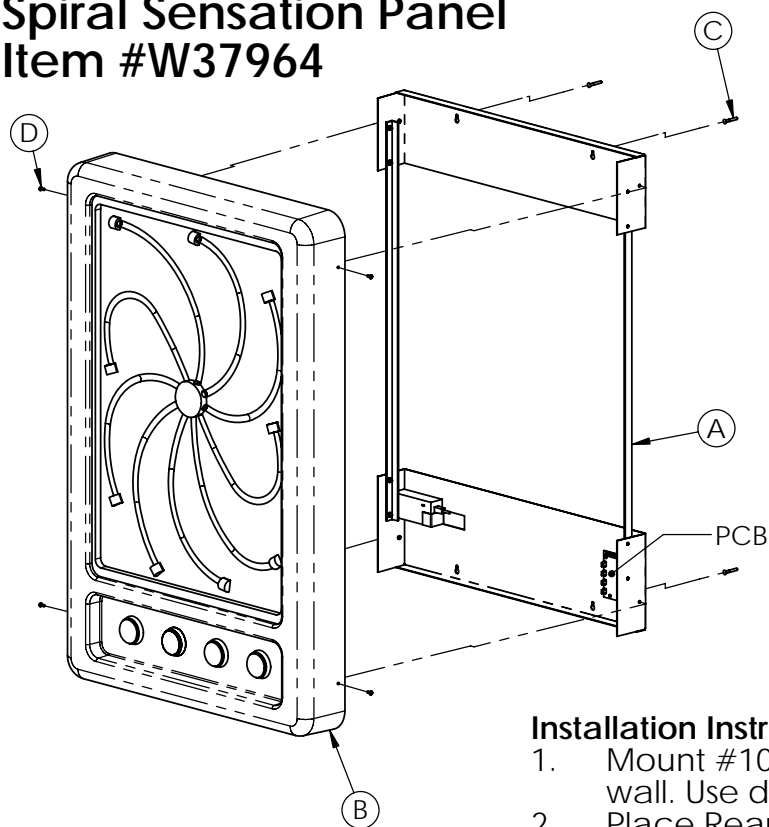
In Canada

FlagHouse Canada, 235 Yorkland Blvd., Suite 105, North York, Ontario M2J 4Y8
Phone 800-265-6900 Fax 800-265-6922
Email: flaghousecanada@flaghouse.com

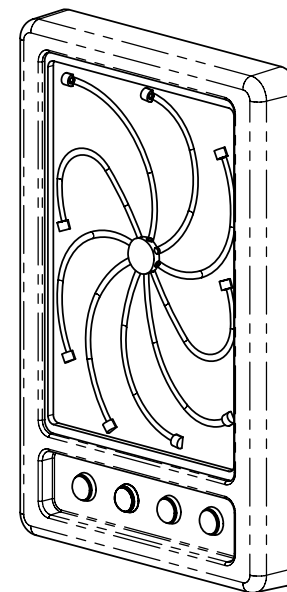
International Customers

FlagHouse, 601 FlagHouse Drive, Hasbrouck Heights, NJ 07604-3116
Phone 201-288-7600 Fax 201-288-7887
8 AM-6 PM Eastern Time

FLAGHOUSE Spiral Sensation Panel Item #W37964



Mounting Hole Spacing



Includes:

- A. Rear Frame (1)
- B. Front Cover (1)
- C. #10 x 1-1/2" Wood Screws (4)
- D. 8-32 x 3/8" Machine Screws (4)
- E. Power Cord (1, not shown)

Installation Instructions

1. Mount #10 x 1-1/2" Wood Screws to wall. Allow head to extend 1/8" from surface of wall. Use dimensions above as location guide.
2. Place Rear Frame onto screws in wall using keyholes. Tighten screws after Rear Frame is locked in place.
3. Have one person hold the Front Cover near the Rear Frame so that the cables can reach the PCB.
4. The four 4-pin connectors for the buttons are labeled with 3-letter abbreviations that match up with lettering on the 4-pin headers on the PCB. They should be plugged in accordingly. Do not force, try to rotate if they won't plug in easily.
5. The three 6-pin connectors for the lights are labeled with 1, 2, and 3. #1 should be plugged into the leftmost position on the 18-pin header on the PCB. #3 should be plugged into the rightmost position on that same header. #2 goes between those.
6. Place Front Cover over Rear Frame such that side holes line up. Use 8-32 x 3/8" machine screws to fasten in place.
7. Plug Power Cord into left side of unit, then plug into appropriate wall outlet.
8. The unit will turn on and should begin operating immediately.

Caution

Installation should only be performed by individuals with experience in mounting units, shelves or similar objects on to walls. A reasonable understanding of wall types, wall studs, electric drills and wall mounting hardware is necessary. Do not attempt to wall mount the Spiral Sensation Panel unless you have this experience.